

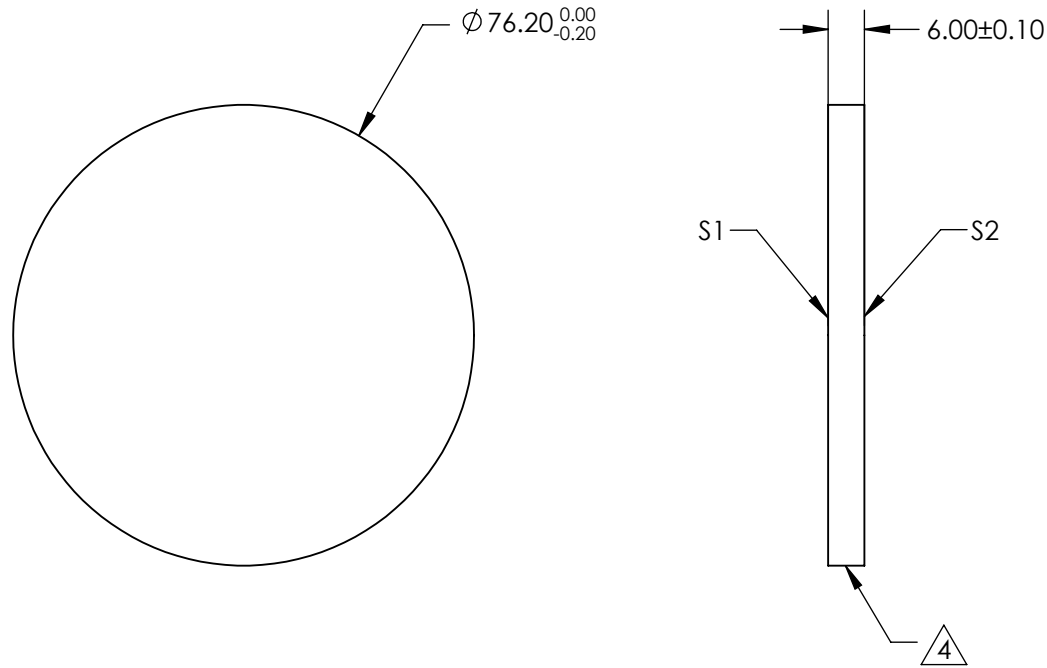
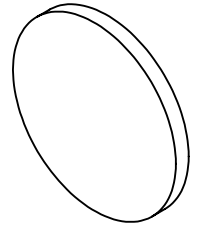
NOTES:

1. SUBSTRATE:  
FUSED SILICA (CORNING 7980)
2. SURFACE S2 TO BE PARALLEL TO S1 WITHIN <5 ARCSEC
3. COATING (APPLY ACROSS CLEAR APERTURE)

S1 & S2: NONE

4. FINE GRIND SURFACE

5. ROHS COMPLIANT

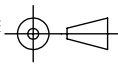


**FOR INFORMATION ONLY:  
DO NOT MANUFACTURE  
PARTS TO THIS DRAWING**

SPECIFICATIONS SUBJECT TO CHANGE WITHOUT NOTICE  
DIMENSIONS ARE FOR REFERENCE ONLY

**EO**® Edmund Optics®

	S1	S2
SHAPE	PLANO	PLANO
SURFACE QUALITY	20 - 10	20 - 10
CLEAR APERTURE	$\varnothing 68.58$	$\varnothing 68.58$
BEVEL	PROTECTED AS NEEDED	PROTECTED AS NEEDED

THIRD ANGLE PROJECTION 

ALL DIMS IN mm

TITLE	76.2mm Dia., 6mm Thick, Uncoated, $\lambda/10$ IR Fused Silica Window	
DWG NO	70111	SHEET 9 OF 9