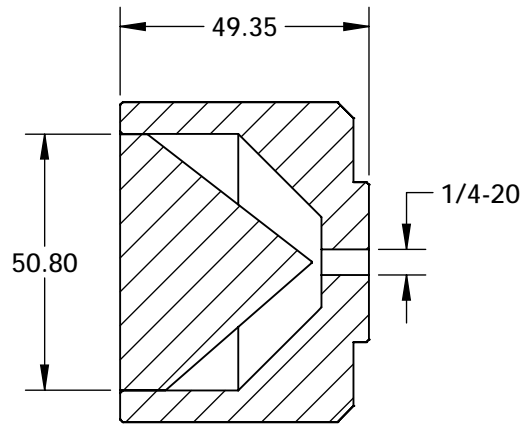
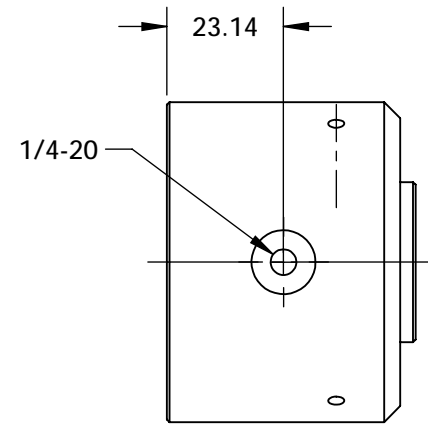
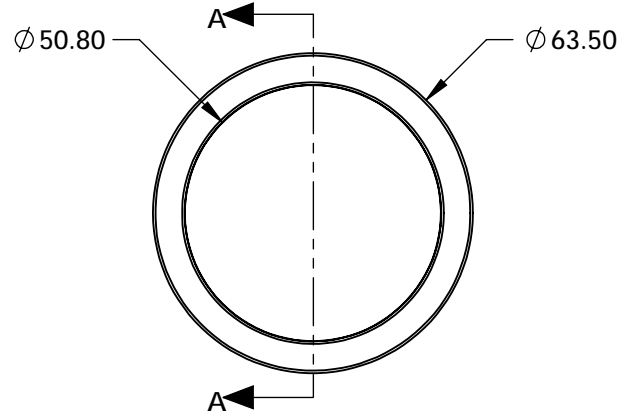


NOTES:

1. MATERIAL:  
HOUSING: BLACK ANODIZED ALUMINUM  
CORNER CUBE: FUSED SILICA
2. COATING SPECIFICATION (APPLY ACROSS CLEAR APERTURE)  
ENTRANCE: UNCOATED  
REFLECTIVE SURFACES: R(AVG)>85% FROM 400-700nm, @ 45° AOI
3. RoHS: COMPLIANT



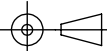
SECTION A-A



SPECIFICATIONS SUBJECT TO CHANGE WITHOUT NOTICE  
DIMENSIONS ARE FOR REFERENCE ONLY

**FOR INFORMATION ONLY:  
DO NOT MANUFACTURE  
PARTS TO THIS DRAWING**

**EO**® Edmund Optics®

THIRD ANGLE PROJECTION 		TITLE	50.8mm PROTECTED ALUMINUM COATED, MOUNTED FUSED SILICA CORNER RETROREFLECTOR	
ALL DIMS IN	mm	DWG NO	15822	SHEET 1 OF 1