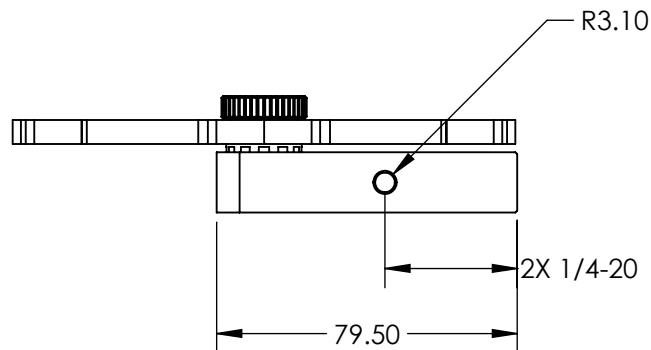
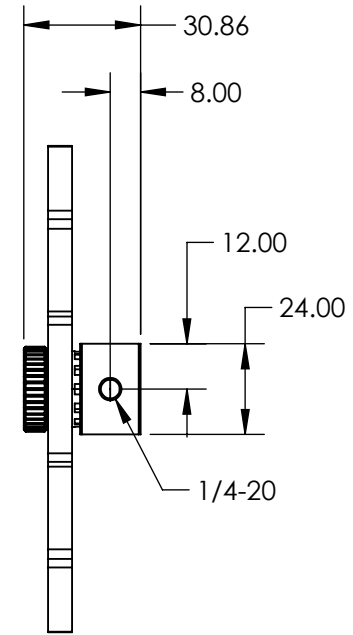
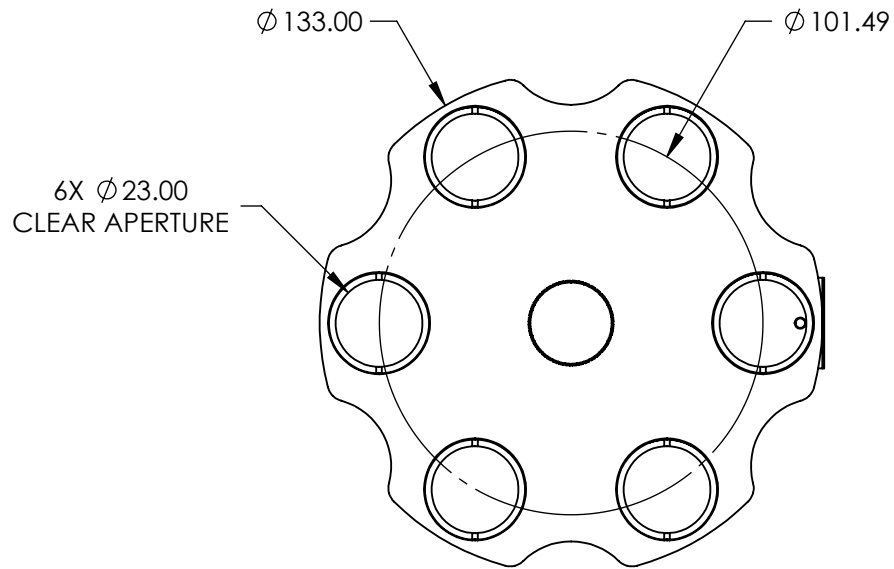


NOTES:

1. DIMENSIONS OF COMPATIBLE OPTICS:
 DIAMETER: 25.0/25.4mm
 THICKNESS: 3.6mm MAX
2. RoHS: COMPLIANT



SPECIFICATIONS SUBJECT TO CHANGE WITHOUT NOTICE
 DIMENSIONS ARE FOR REFERENCE ONLY

EO® Edmund Optics®

**FOR INFORMATION ONLY:
 DO NOT MANUFACTURE
 PARTS TO THIS DRAWING**

| | | | | |
|------------------------|----|--------|--|--------------|
| THIRD ANGLE PROJECTION | | TITLE | 6 POSITION FILTER WHEEL ASSEMBLY FOR 1" DIAMETER FILTERS | |
| ALL DIMS IN | mm | DWG NO | 56658 | SHEET 1 OF 1 |