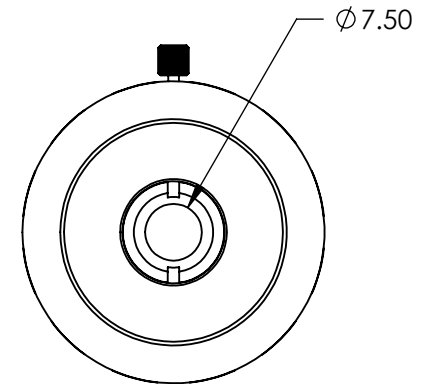
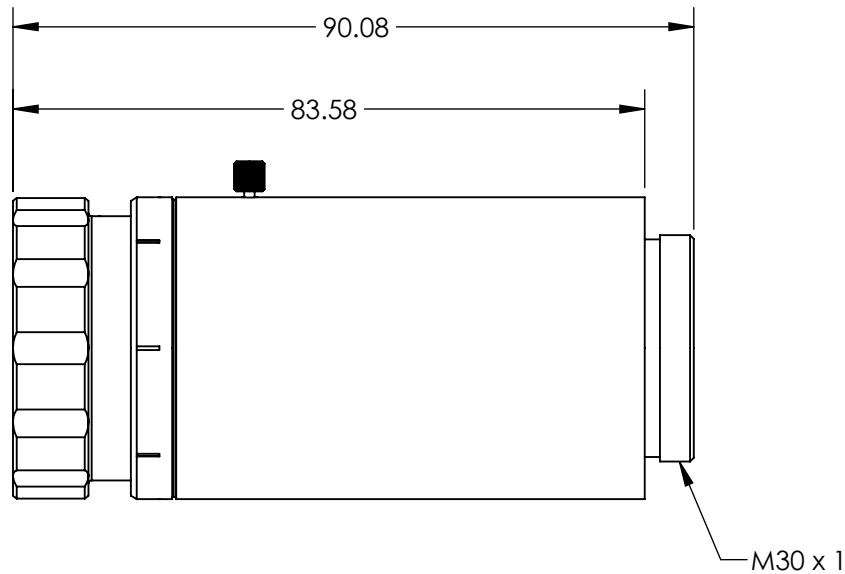
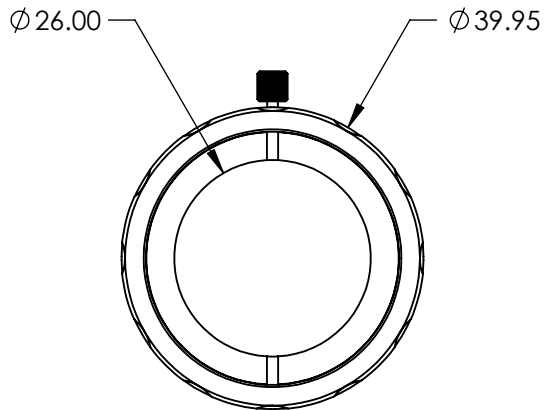
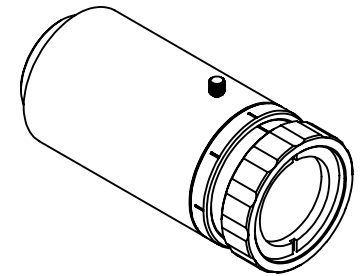


NOTES:

1. COATING (APPLY ACROSS CLEAR APERTURE)
LASER V-COAT
R(ABS) ≤ 0.25% @ 266nm
2. RoHS: COMPLIANT



**FOR INFORMATION ONLY:
DO NOT MANUFACTURE
PARTS TO THIS DRAWING**

SPECIFICATIONS SUBJECT TO CHANGE WITHOUT NOTICE
DIMENSIONS ARE FOR REFERENCE ONLY

DAMAGE THRESHOLD (PULSED)	1.5J/cm ² @ 10ns, 20Hz, 266nm
DESIGN WAVELENGTH DWL (nm)	266
EXPANSION POWER	7X
TRANSMISSION (%)	> 99 (NOMINAL)
NOMINAL PERFORMANCE	<λ/10 FOR 2.6mm INPUT BEAM (NOMINAL)



ALL DIMS IN mm

EO® Edmund Optics®

TITLE	7X, 266nm VEGA™ Nd:YAG LASER LINE BEAM EXPANDER	
DWG NO	35108	SHEET 1 OF 1