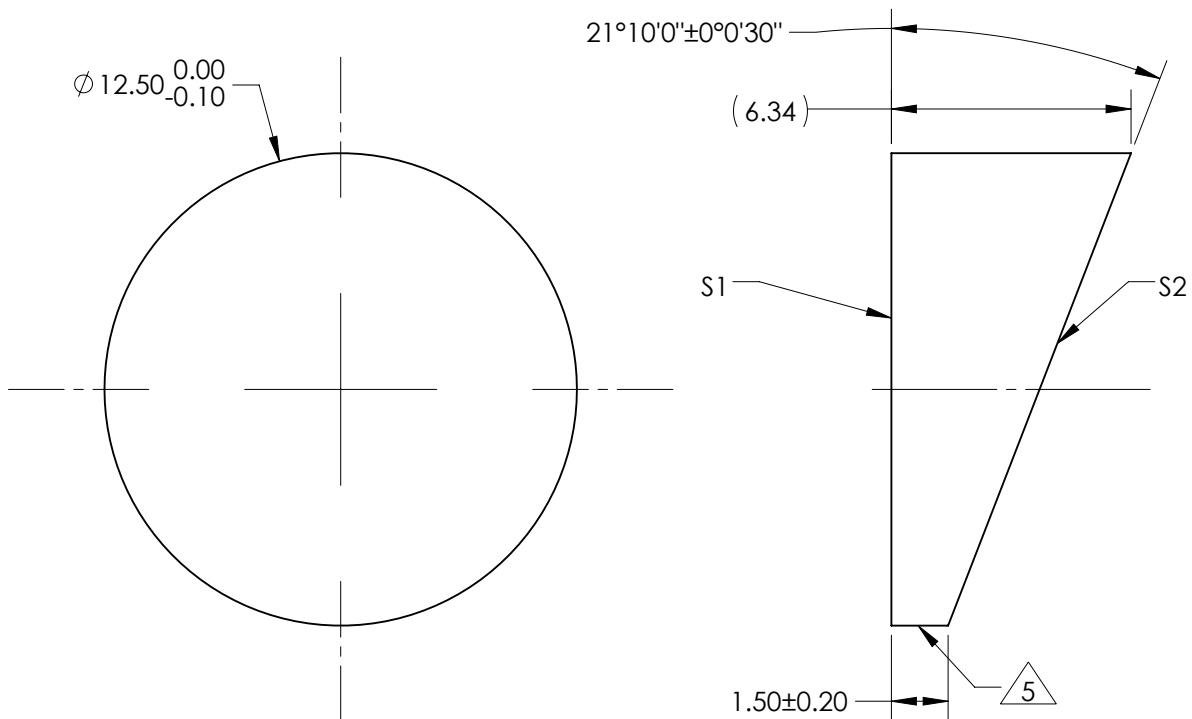


NOTES:

1. SUBSTRATE:
GRADE A FINE ANNEALED
SCHOTT: N-BK7 517/642
2. ROHS COMPLIANT
3. WAVELENGTH RANGE: 350 - 2200nm
4. COATING (APPLY ACROSS COATING APERTURE)
S1 & S2: VIS 0°
R(AVG) ≤ 0.4% FROM 425-675nm @ 0° AOI
5. FINE GRIND SURFACE
6. POWER, IRREGULARITY, AND SURFACE QUALITY SPECIFICATIONS APPLY ACROSS CLEAR APERTURE
7. IMAGE ORIENTATION: BEAM DEVIATION



FOR INFORMATION ONLY:
DO NOT MANUFACTURE
PARTS TO THIS DRAWING

	S1	S2
SHAPE	PLANO	PLANO
SURFACE QUALITY	20 - 10	20 - 10
MIN CLEAR APERTURE	∅ 11.25	∅ 11.25
MIN COATING APERTURE	N/A	N/A
POWER AT 632.8nm	0.5 RINGS	0.5 RINGS
IRREGULARITY AT 632.8nm	0.2 RING	0.2 RING
BEVEL	PROTECTIVE, AS NEEDED	PROTECTIVE, AS NEEDED

SPECIFICATIONS SUBJECT TO CHANGE WITHOUT NOTICE
DIMENSIONS ARE FOR REFERENCE ONLY



THIRD ANGLE PROJECTION		TITLE	12.5MM PRISM WEDGE 12 DEG VIS 0
ALL DIMS IN	mm	DWG NO	35792
			SHEET 1 OF 1