

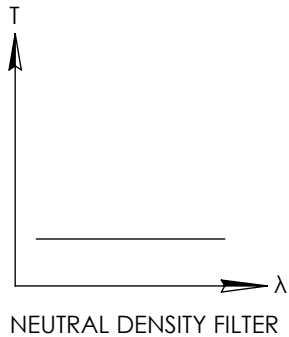
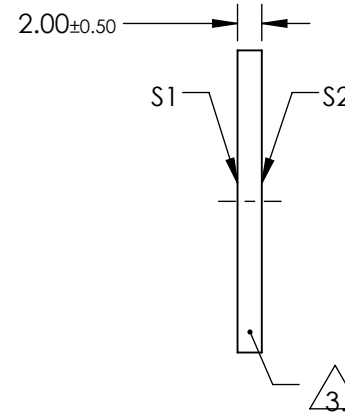
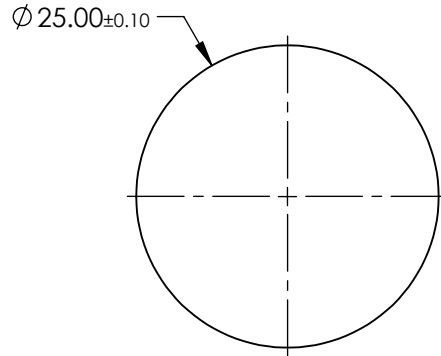
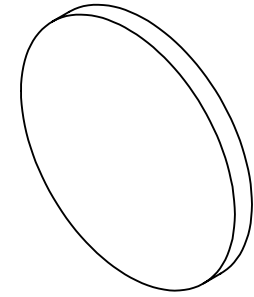
NOTES:

1. SUBSTRATE:
HOYA GLASS: ND-0.3
2. SURFACE S2 TO BE PARALLEL WITH SURFACE S1 TO WITHIN <0.02 mm

FOR INFORMATION ONLY:
DO NOT MANUFACTURE
PARTS TO THIS DRAWING

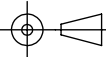
 3. FINE GRIND SURFACE

4. OPTICAL DENSITY: 2.0 ±0.05
5. TRANSMISSION (%): 1 % AVERAGE FROM 400-700nm
6. ROHS COMPLIANT



SPECIFICATIONS SUBJECT TO CHANGE WITHOUT NOTICE
DIMENSIONS ARE FOR REFERENCE ONLY

 **Edmund Optics®**

	S1	S2	THIRD ANGLE PROJECTION 		TITLE	OD 2, Ø25mm ABSORPTIVE ND FILTER	
SHAPE	PLANO	PLANO			DWG NO	48092	SHEET
SURFACE QUALITY	80-50	80-50	ALL DIMS IN	mm			
BEVEL	PROTECTIVE AS NEEDED	PROTECTIVE AS NEEDED					