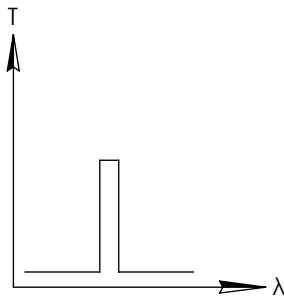
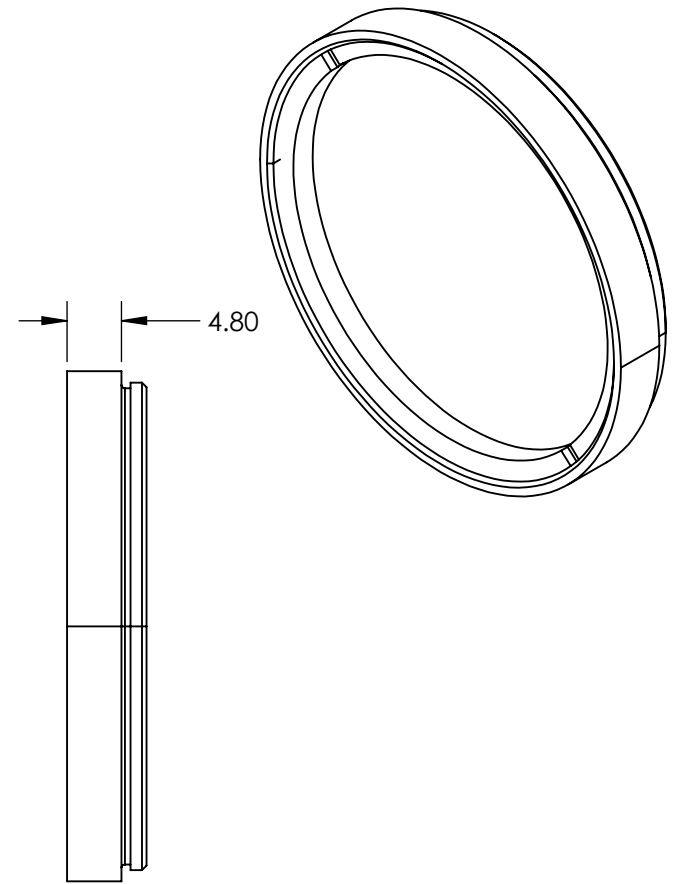
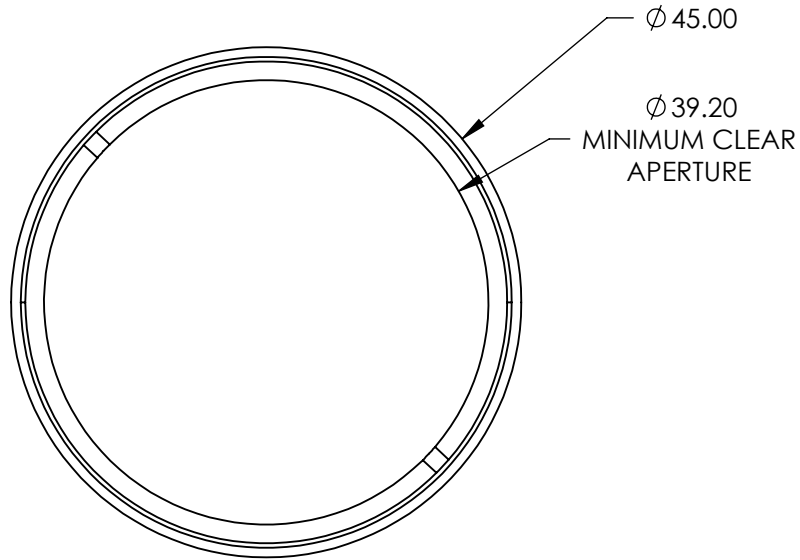


**FOR INFORMATION ONLY:  
DO NOT MANUFACTURE  
PARTS TO THIS DRAWING**



IMAGING FILTER

REV. A	VALUE
CENTER WAVELENGTH (CWL)	590 $\pm$ 2nm
FULL WIDTH HALF MAX (FWHM)	78 $\pm$ 2nm
AVERAGE TRANSMISSION (%)	$\geq 90$
BLOCKING	200 - 1050
SURFACE QUALITY	80-50
CONSTRUCTION	MOUNTED IN BLACK ANODIZED ALUMINUM RING
COATING TYPE	HARD COATED
DURABILITY	MIL-C-48497A, SECT. 3.4.1
ENVIRONMENTAL	MIL-STD-801F, SECT. 507.4

SPECIFICATIONS SUBJECT TO CHANGE WITHOUT NOTICE  
DIMENSIONS ARE FOR REFERENCE ONLY

**EO**<sup>®</sup> **Edmund Optics**<sup>®</sup>

THIRD ANGLE PROJECTION

TITLE	ORANGE M43.0 X 0.75 IMAGING FILTER
DWG NO	89809
SHEET 1 OF 1	

ALL DIMS IN

mm