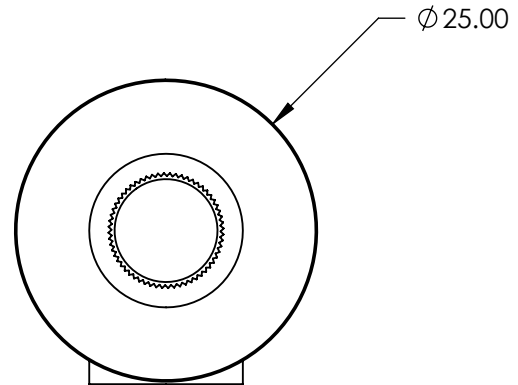
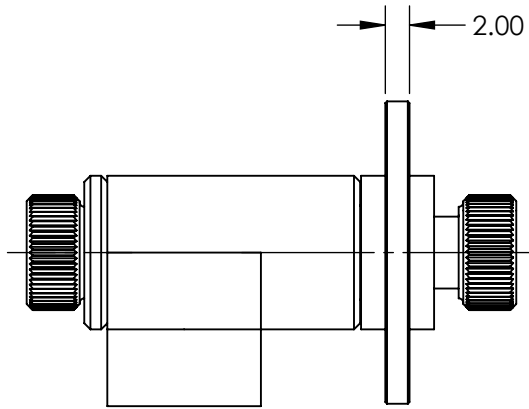
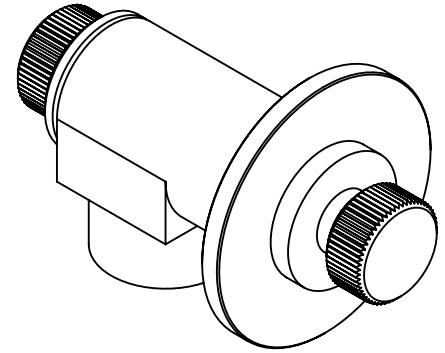
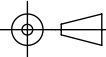


**FOR INFORMATION ONLY:
DO NOT MANUFACTURE
PARTS TO THIS DRAWING**



SPECIFICATIONS SUBJECT TO CHANGE WITHOUT NOTICE
DIMENSIONS ARE FOR REFERENCE ONLY

EO[®] **Edmund Optics**[®]

REV. A	S1	S2	THIRD ANGLE PROJECTION 		TITLE	OD 0.04 - 1.5, Ø25mm, CIRCULAR ND FILTER	
SHAPE	PLANO	PLANO	ALL DIMS IN	mm	DWG NO	54079	SHEET 1 OF 1
TRANSMISSION WAVELENGTH	400 - 700	400 - 700					
BEVEL	PROTECTIVE AS NEEDED	PROTECTIVE AS NEEDED					