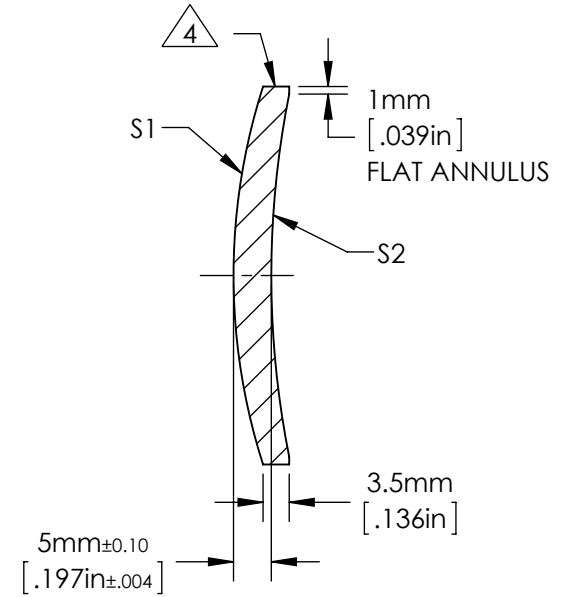
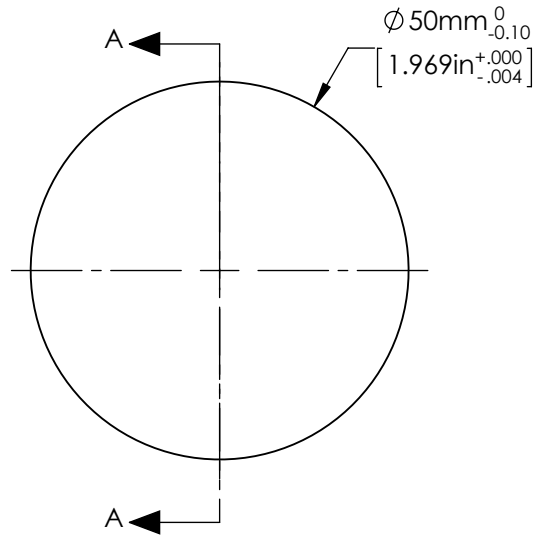


NOTES:


1. ALLOWABLE OPTICAL MATERIAL:  
OPTICAL GRADE GERMANIUM
2. CENTERING TOLERANCE (AT 587.6nm):  
BEAM DEVIATION: <3 ARCMINUTES
3. COATING (APPLY ACROSS COATING APERTURE)  
S1: NONE  
S2: NONE

4. EDGES DIAMOND TURNED



SECTION A-A

**FOR INFORMATION ONLY:  
DO NOT MANUFACTURE PARTS TO THIS DRAWING**

	S1	S2			 <b>Edmund Optics®</b>
SHAPE	CONVEX	CONCAVE	EFL (AT 10.6 $\mu\text{m}$ )	(75.00)	
RADIUS	81.89	122.77			TITLE
SURFACE QUALITY	60 - 40	60 - 40	BFL (AT 10.6 $\mu\text{m}$ )	(71.56)	
CLEAR APERTURE	$\geq \text{Ø} 45.00$	$\geq \text{Ø} 45.00$			DWG NO
BEVEL MAX FACE	0.3mm x 45°	0.3mm x 45°	ALL DIMS IN	mm	