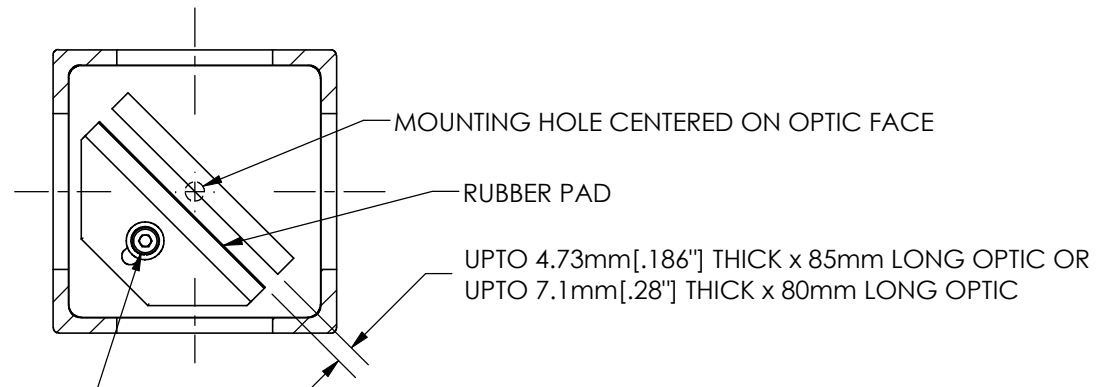
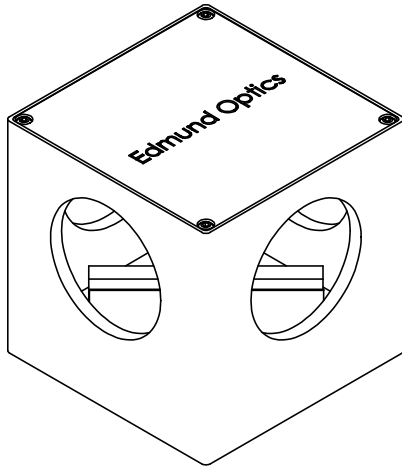
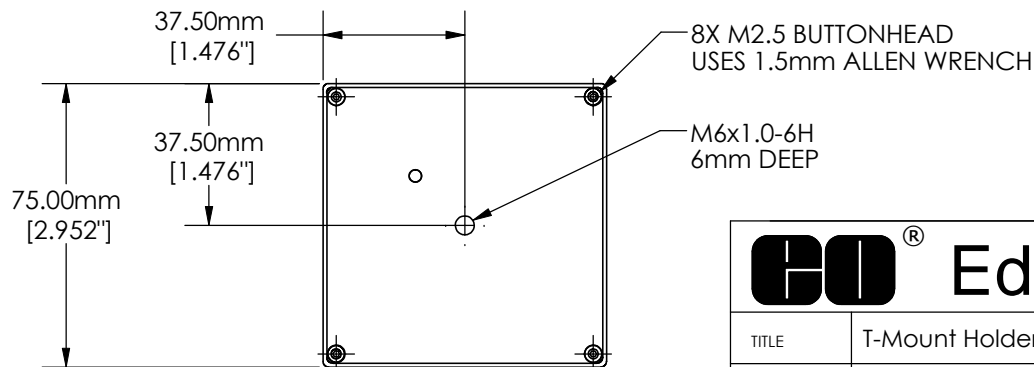
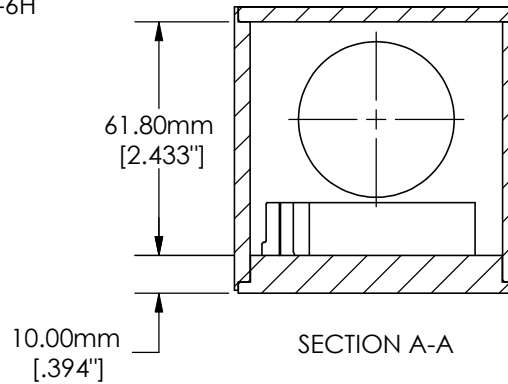
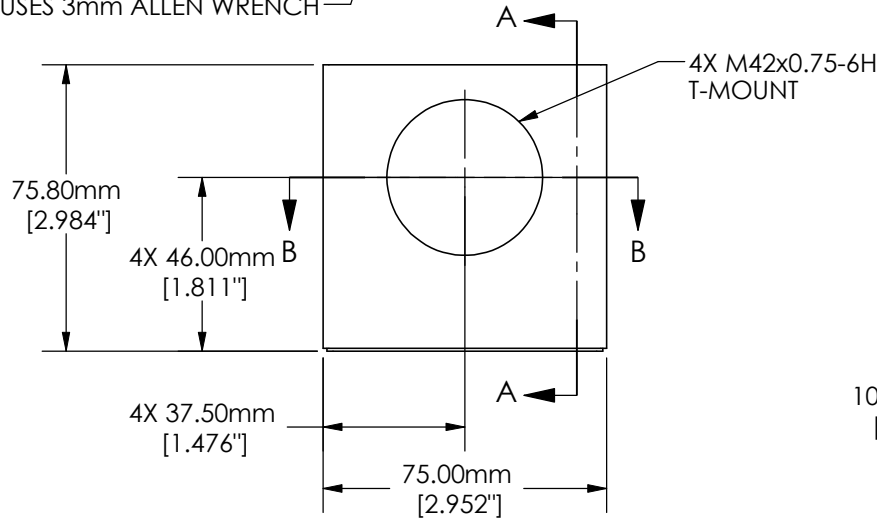


SPECIFICATIONS SUBJECT TO CHANGE WITHOUT NOTICE
 DIMENSIONS ARE FOR REFERENCE ONLY



M4 SOCKETHEAD SCREW
 USES 3mm ALLEN WRENCH

SECTION B-B



Edmund Optics®

TITLE	T-Mount Holder for any 60 x 85mm Plate Beamsplitter, M6	
DWG NO	65983	REV 000

Enable 3D View